

Signal Regimental Update



Signal Strong!

**AFCEA TECHNET 2019
Chief of Signal/Regimental CSM
BG Eubank/CSM Knott**



U.S. ARMY

Mission, Priorities, and Roles

Where all things Signal Corps Intersect



Mission: The Signal School trains, educate, and develops multi-disciplined Signal Soldiers across the Army to support the full range of Operations. The Chief of Signal manages the Personnel and Branch Proponent for the Signal Corps. CCoE Deputy Commanding General – Signal enables Signal Corps force modernization initiatives.

Priorities:

1. Optimize Signal Branch Career Fields
2. Reshape Signal Force Structure
3. Modernize the Training Environment



Chief of Signal

- Signal Corps advocate to the U.S. Army and Department of Defense
- **Serves as Personnel Proponent for the Signal Corps**
- **Ensures Leader Development** within the Signal Corps
- Oversight of Signal Branch talent management in coordination with HRC
- Determine individual Signal branch professional development standards
- Promotes the Branch
- Proponent for Signal regimental history, customs, and traditions



CCoE DCG-Signal

- Champion Signal Corps force modernization initiatives for the Cyber CoE.
- Guides Signal requirements integration affecting Signal Force Structure
- Enables synchronization of Signal **Material** capability management for Network & Services and Tactical Radio
- Ensures Signal **Doctrine** alignment with Army Operations
- Integrator of Signal Doctrine, Training, Material, Leader development, and Personnel proponentcy
- Coordinates across Signal/Cyber lines



Commandant of the Signal School

- **Trains, and educates multi-disciplined Signal Soldiers and leaders**
- Provides a world class institutional training environment based on Joint and Army requirements and standards
- Employs professional cadre who are well-trained who teach, coach and mentor
- Aligns training and education to the rigors of the Profession of Arms
- Extends the Signal School campus to Regional Signal Training Sites, distance, and virtual learning platforms



U.S. ARMY

Signal Overview

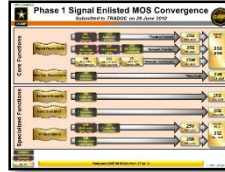
Past, Present, and Future Initiatives



Signal Proponency

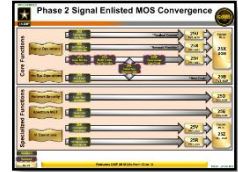
What We've Done

- MOS Convergence (PH I)
- 25A – Security Clearances
- COMSEC Realignment (25D to 25B MOCS action)
- Relunched Army Communicator



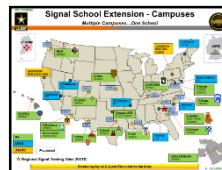
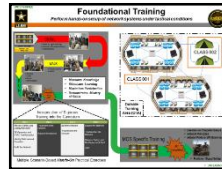
Working Today

- MOS Convergence (PH II)
- 255S Accessions (WOBC)
- Visual Information/Public Affairs Merger



Signal School

- Foundational Training
- Program of Instruction Updates (137 POIs)
- Full Academic Accreditation
- Ownership of Regional Signal Training Sites (RSTS) CECOM to Signal School
- Signal Training Strategy Update (TC 6-02.1)



- Foundational Training Refinement
- RSTS Expansion and Course Refinement
- Fort Gordon Campus Transformation
- Consolidation of BDE/BN S6 Courses
- All Things COMSEC
- Leader Development Integration



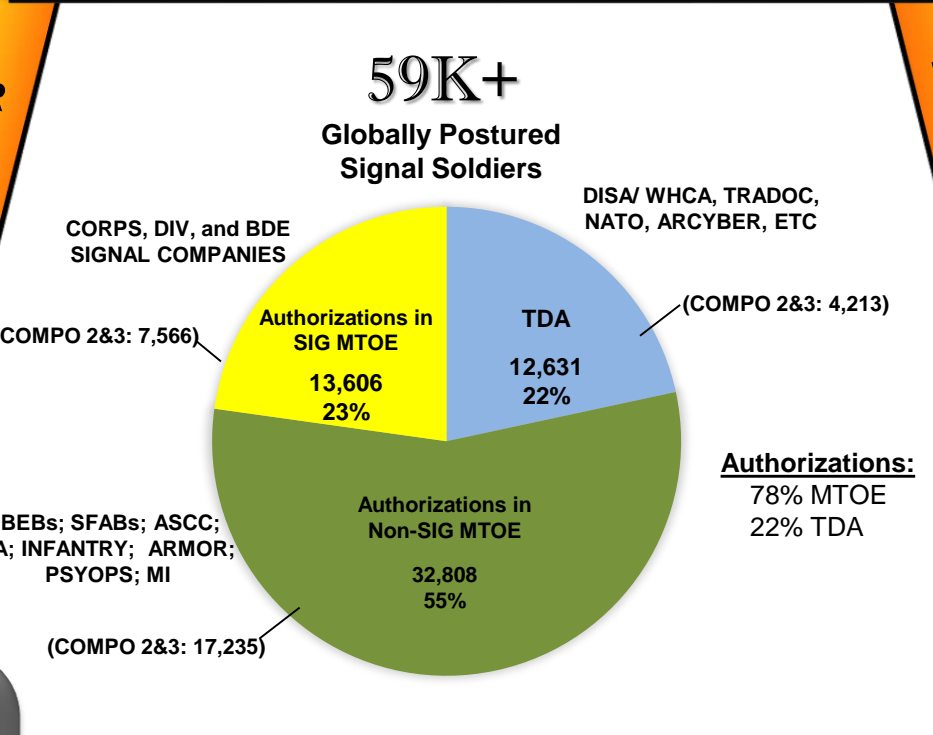


U.S. ARMY

The Signal Regiment



Signal Proponency



- Doctrine
- Organization
- Training**
- Material
- Leader Development**
- Personnel**
- Facilities

Ready Warriors

Multi Disciplined

Annual Student Load:

19,774 Students

Fort Gordon	10,996
Fort Huachuca	76
Extension Campuses	8,702

30K Active Duty Signal Authorizations	19.3K National Guard Signal Authorizations	9.7K Army Reserve Signal Authorizations
--	---	--

Army Signal School

Annual Training:
200 Separate Courses
1,599 Classes

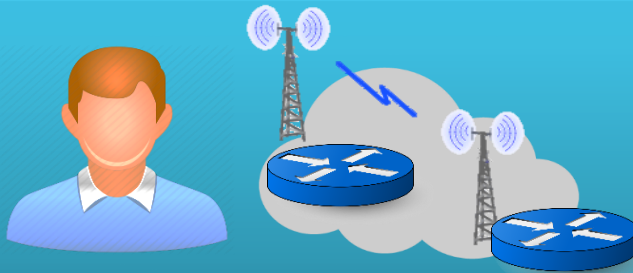


Soldier as a Service Provider

“DIRECTV Model”



25S → “Enterprise”
PROVIDER



25H → “WAN”
NETWORK



25B → “LAN”
IT SERVICES



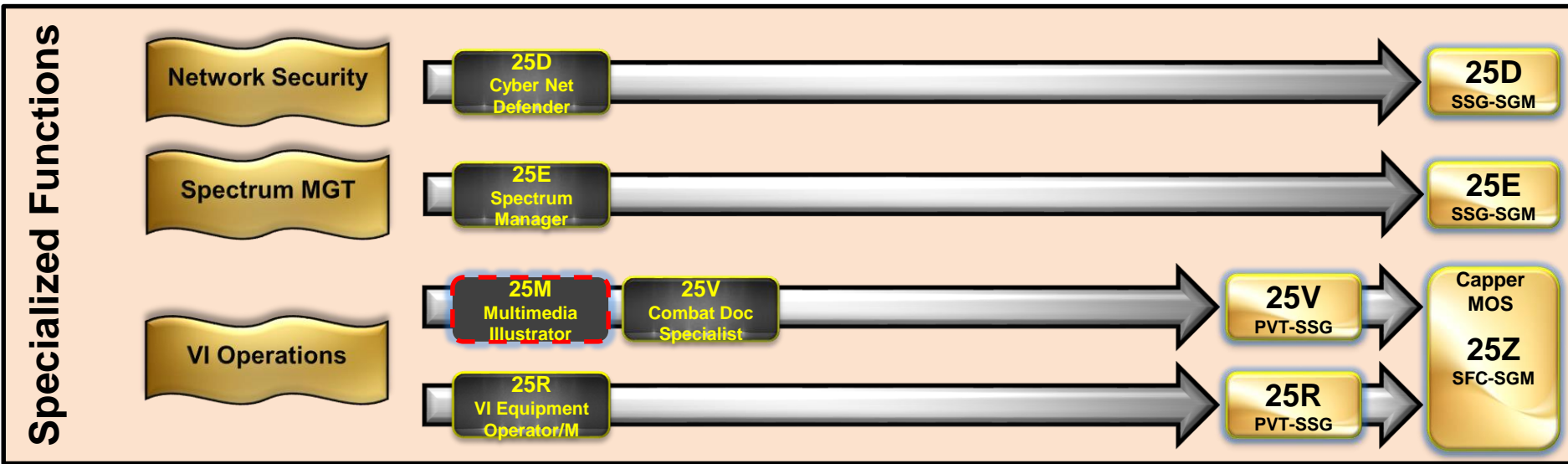
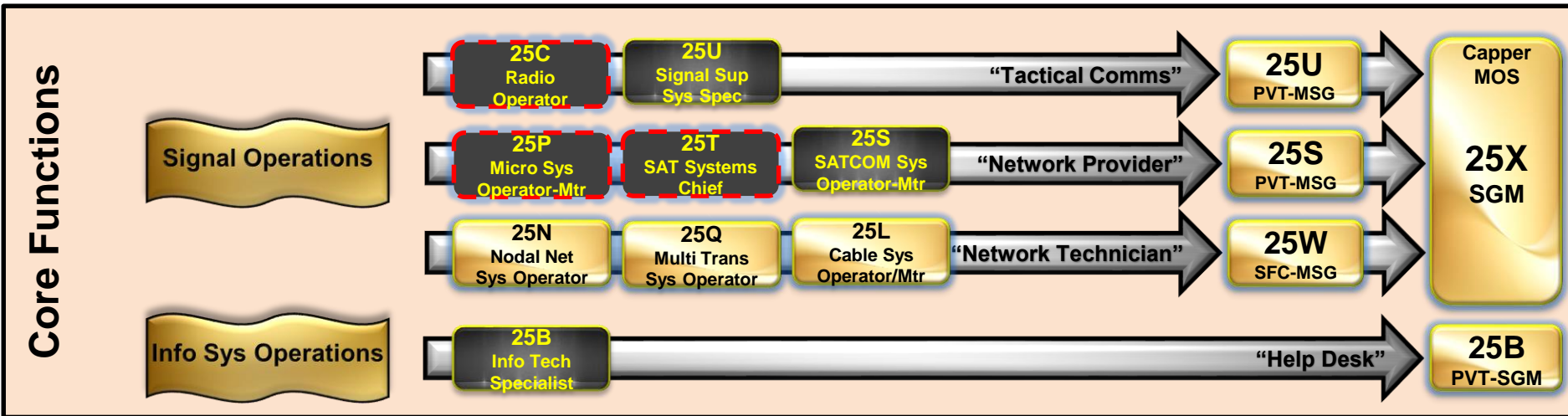
25U → “Edge”
INTEGRATED TACTICAL
NETWORK



U.S. ARMY

Phase 1 Signal Enlisted MOS Convergence

Submitted to TRADOC on 29 June 2018



Revised

Deleted

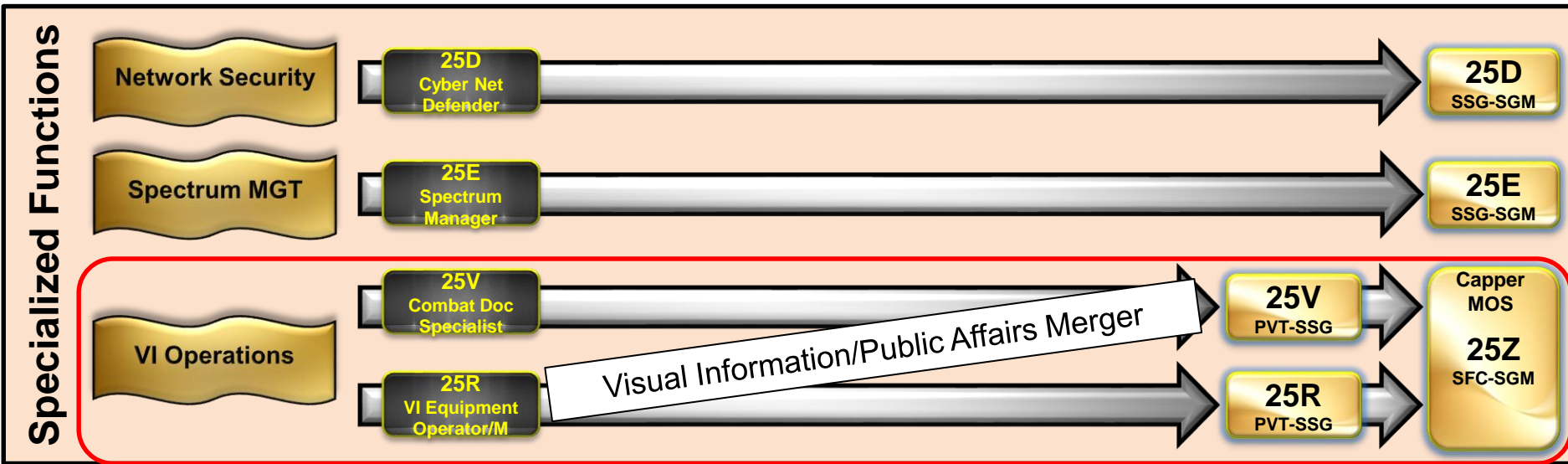
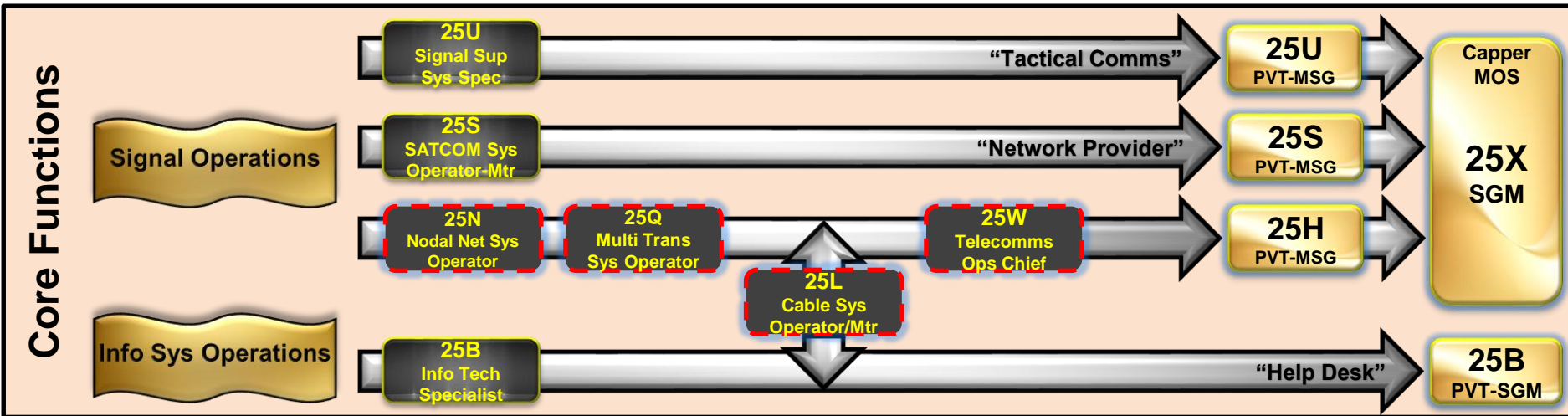
MOSs

Reduces CMF 25 MOSs from 17 to 13

Phase 2 Signal Enlisted MOS Convergence



U.S. ARMY



Legend:

- Revised (Yellow box)
- Deleted (Red dashed border box)
- MOSs (Yellow box)

Merge (Red box)

Reduces CMF 25 MOSs from 13 to 7



Foundational Training

Baselining AIT Signal Soldiers



Purpose: Provide a baseline of essential knowledge and skills to develop a multi-disciplined Signal Soldier that will then integrate into the Soldiers' specific MOS training.

Key Tasks:

- 1) Introduce foundational training at the start of Soldiers training
- 2) Training is progressive in nature – lessons build upon each other
- 3) Emphasis on troubleshooting, identifying the specific procedures of a task, and performing the actions necessary
- 4) Increase the comprehension and understanding of essential network fundamentals and operations
- 5) Conduct hands-on training using increased repetitions and labs

Endstate: A proficient and multi-disciplined Soldier that is prepared to employ baseline Signal skills, possesses knowledge and skills during network operations, and delivers integrated communications in support of the Warfighter.

Foundational Training (160hrs)

Course Orientation & Pre-Assessment (12.5hrs)	Computer Literacy (26.2 hrs)	Operating Systems/ Printers (14.3 hrs)	Networking/ Security (77.0hrs)	Module E Integrated Learning Event (30.0 hrs)
---	------------------------------	--	--------------------------------	---

Conducted within a tactical environment

Day 1	Day 2	Day 3	Day 4
Mission, Safety, and Deployment Brief	Troubleshoot the Network	Build the Network	Expand the Network
5K Generator and HVAC Familiarization	Expand the Network	Troubleshoot the Network	Troubleshoot the Network
Identify Field network Operation			Mission, Safety, and Re-Deployment Brief
Build the Network			AAR

MOS Specific Training

25B

25U

25P

25Q

25S

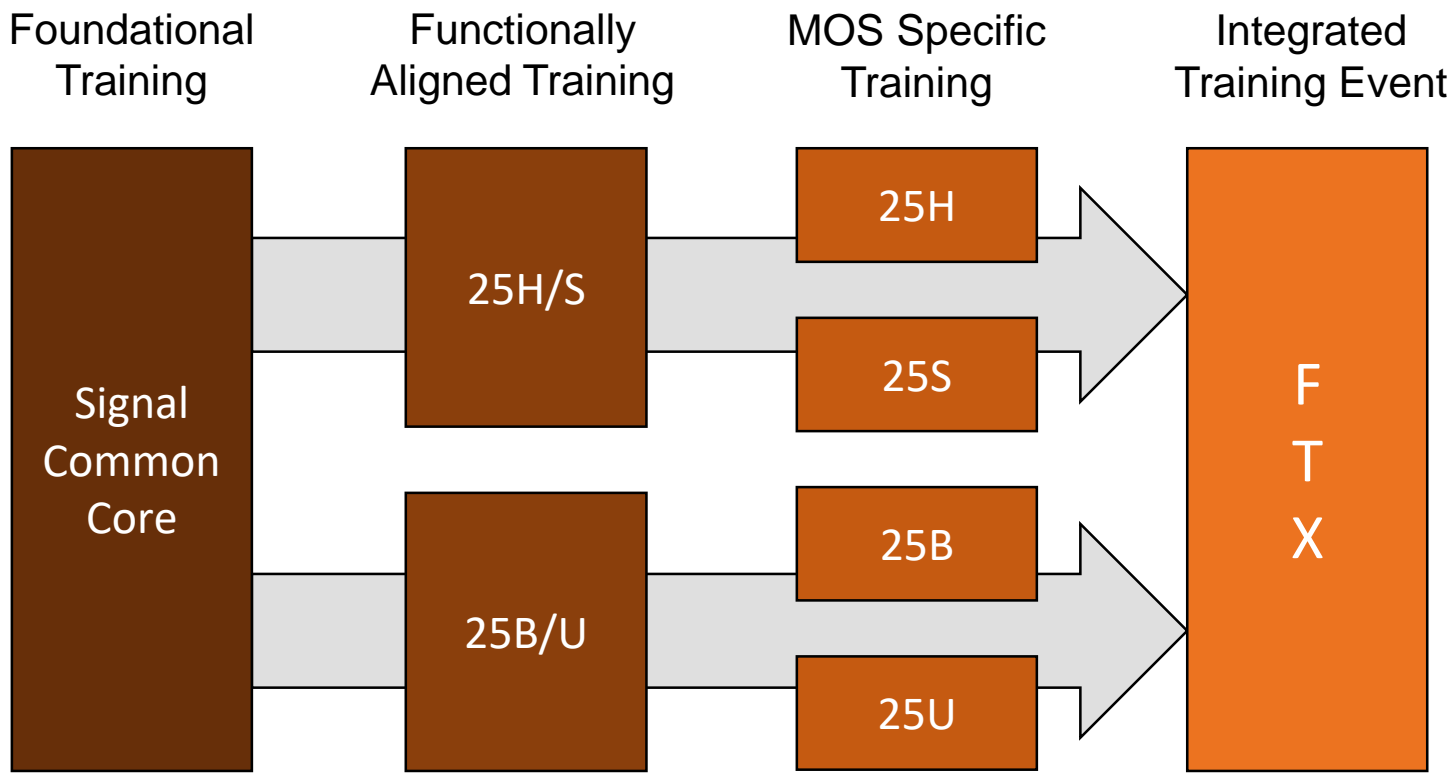
25N



U.S. ARMY

The Future of Signal AIT

Building Blocks to Focused Training



- Foundational/Baseline
- Progressive training
- Hands-on, Repetition

- Intermediate Signal functional training

- Advanced MOS knowledge & skills

- All AIT Signal MOSs
- Tested through Rigor
- Solidifies training

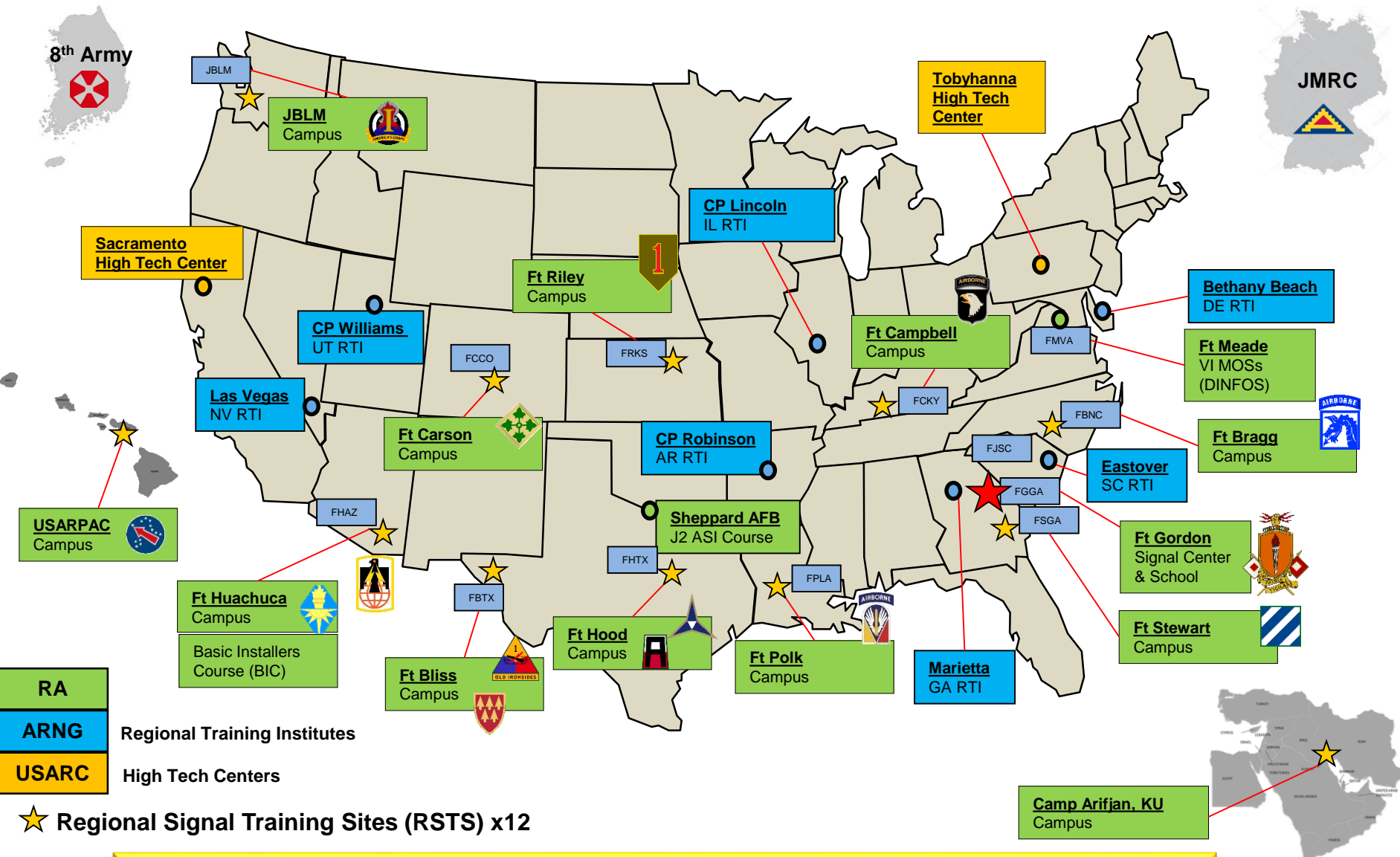
Equipping the Next Generation Signal Soldier



U.S. ARMY

Signal School Extension - Campuses

Multiple Campuses...One School



Extending Signal & Cyberspace Education to the Army



U.S. ARMY

Regional Signal Training Sites

Enable Training at Home Station



Purpose: Meet commanders' needs for communications, cyber training and certification by: standardizing the quality of training, providing flexibility to the commander, and establishing governance.

End state: A persistent linkage between institutional training and education from the CCoE to the regional signal training sites that meets current and future requirements for the Cyberspace workforce in support of operational commanders.

TOP FIVE CLASSES TAUGHT (FY19 Operations (YTD))

Classes	Total Tested	Passed	Pass Rates
Security +:	864	572	66.20%
ETA Fiber:	366	361	98.63%
Network +:	351	241	68.66%
IT Fundamentals:	248	203	81.85%
A+ 220-901:	225	151	67.11%

As of: 15 JUNE 2019



U.S. ARMY

Regional Signal Training Sites

Enable Training at Home Station



RSTS Classes Taught

Total: 56 Classes

IT Network & Cisco Routing
 Fiber / TFOCA / ETA FIBER
 CompTIA IT Fund.
 CompTIA Network+ N10-007
 CompTIA A+ 901
 CompTIA A+ 902
 CompTIA Security+ SY0-501
 SharePoint
 Harris Radios
 KG-175 Taclane
 SPLUNK
 SNAP O&M
 Certified Ethical Hacker (CEH)
 ICND1/CCENT
 ICND2/CCNA
 Call Manager
 RMF (Risk Mgmt Framework)
 HBSS
 Enterprise Security Manager
 Cyber DMG

Project Management (PMP)
 Introduction to Tactical Radios
 Introduction to Field Radios
 SCCM (Sys Ctr Config Manger)
 Basic IT Routing
 Advanced IT Routing
 Smart-T
 ITIL Foundations
 CISSP
 CySA+
 Windows 10
 CISM
 Project +
 Linux + LXO-103
 Linux + LXO-104
 LSS (Green Belt)*
 Server +
 JEM (AN/PRC-148 JTRS EMB)
 JNN
 GBS

*Not showing all classes, there are multiple iteration of classes



U.S. ARMY

Signal Training Strategy

Building on the Foundation



Signal Assessment Tables (SAT)

	TABLE I Individual Training	TABLE II Individual Test	TABLE III Crew Training	TABLE IV Crew Cert	TABLE V (P-) Section Training	TABLE VI (P) Section Cert	TABLE VII (T) Section Validation
	Certified by Section Sergeant	Certified by SS/PSG	Certified by PSG	Certified by PL/PSG	Certified by CO (Branch Immaterial)	Certified by BN or Higher CDR appointed rep	Certified by BDE or OC/T
PERSONNEL	<ul style="list-style-type: none"> <input type="checkbox"/> 8570* <input type="checkbox"/> MOS Qualified <input type="checkbox"/> Leader Cert* <input type="checkbox"/> Train designated individual tasks (TE&O) <input type="checkbox"/> Linked to STS Crew Table by System/Assemblage <input type="checkbox"/> Warrior T & B Drills <input type="checkbox"/> Qualified on assigned weapons 	<ul style="list-style-type: none"> <input type="checkbox"/> 8570 Certified <input type="checkbox"/> MOS X-Trained if working outside MOS <input type="checkbox"/> ALC/SLO* <input type="checkbox"/> 'GO' in designated individual tasks (TE&O) <input type="checkbox"/> Certified to STS test standard for assigned equipment 	<ul style="list-style-type: none"> <input type="checkbox"/> Certified on Table 1&2 <input type="checkbox"/> SOPs known by entire crew <input type="checkbox"/> Crew Battle Drills rehearsed under admin field conditions in day and night - understand terrain, set up conditions, unit time standards, etc. <input type="checkbox"/> SGT Time training reinforces "U" tasks (crew responsibilities, movement tasks, etc.) 	<ul style="list-style-type: none"> <input type="checkbox"/> Crew meets TE&O requirements IAW unit specified time standards and any additional requirements <input type="checkbox"/> Day and Night Qual <input type="checkbox"/> Certified with minimal distractions to system tasks <input type="checkbox"/> EDRE LVL I 	<ul style="list-style-type: none"> <input type="checkbox"/> Certified on Table 1-4 <input type="checkbox"/> Section Battle Drills rehearsed under advanced operating environment during day and night - MOPP levels, cyber threats, and casualty, etc <input type="checkbox"/> SGT Time training reinforces deficiencies noted during section tasks (crew responsibilities, movement tasks, and principles of security, recovery options, etc.) <input type="checkbox"/> All elements within the section are employed simultaneously <input type="checkbox"/> OPORD/TLP training <input type="checkbox"/> Competent in COMSEC procedures 	<ul style="list-style-type: none"> <input type="checkbox"/> Section meets TE&O requirements IAW unit designated time standard during Day & Night <input type="checkbox"/> NIPR & SIPR Voice and Data checks completed <input type="checkbox"/> Certification must be completed during unit collective training event <input type="checkbox"/> Certification during advanced OE - CBRN, Cyber and CEMA threats, enemy present, etc <input type="checkbox"/> NETOPS involved for reporting procedures <input type="checkbox"/> OPORDs must be utilized <input type="checkbox"/> If section includes of LOS, then LOS must be included <input type="checkbox"/> EDRE Level II <input type="checkbox"/> Section must be Table VI certified prior to CTC (enforced) 	<ul style="list-style-type: none"> <input type="checkbox"/> Table I - VI certified <input type="checkbox"/> Section integrates with supported unit to provide signal support <input type="checkbox"/> Conducted at CTC, Warfighter, MRX, BDE FTX or applicable Culminating Training event <input type="checkbox"/> Element is tested by an OC/T in accordance with unit time and checklist standard <input type="checkbox"/> EDRE Level III <input type="checkbox"/> Dynamic Operational Environment <input type="checkbox"/> NETOPS heavily involved <input type="checkbox"/> Nodes must have LOS systems in use (if applicable) <input type="checkbox"/> Requires end users
			SYSTEM		MISSION COMMAND NODE		
EQUIPMENT	<ul style="list-style-type: none"> <input type="checkbox"/> Assigned Equip in GCCS-A <input type="checkbox"/> Licensed on assigned vehicles and equipment 		<ul style="list-style-type: none"> <input type="checkbox"/> Crew is trained on maintenance of rolling stock and equipment <input type="checkbox"/> All equipment entered into GCCS-Armory with service intervals <input type="checkbox"/> Load plan complete 	<ul style="list-style-type: none"> <input type="checkbox"/> 5988s completed and accurate, parts on-order <input type="checkbox"/> Equipment hand receipted to lowest level <input type="checkbox"/> Services are up to date <input type="checkbox"/> Load plan known by crew and stressed 	<ul style="list-style-type: none"> <input type="checkbox"/> All equipment inputted and grouped together into GCCS-Armory 	<ul style="list-style-type: none"> <input type="checkbox"/> 5988s are completed and accurate, parts on-order <input type="checkbox"/> Equipment hand receipted to lowest level <input type="checkbox"/> Services are up to date <input type="checkbox"/> Load plan stressed during T-VI 	<ul style="list-style-type: none"> <input type="checkbox"/> No Change from Table VI

TC 6-02.1

The United States Army Signal Corps 2019
Training Strategy

July 2019

DISTRIBUTION RESTRICTION: The material in this publication is approved for public release; distribution is unlimited.

This publication supersedes TC 6-02.1, dated 6 July 2018.

Headquarters, Department of the Army

- TC 6-02.1 U.S. Army Signal Training Strategy *published July 19*
- Future revisions will provide standardized Table I – VII to increase readiness of Signal formations
- Baseline assessment for use by Army commanders to standardize training for Signal crews and sections
- This framework establishes a common language to streamline lessons learned and best practices
- Tables are inclusive of all tactical Signal formations - BN S6, ESB, and BEB Companies



Signal School Contacts



- Chief of Signal; Commandant; and DCG-S – BG Christopher L. Eubank: 706-791-8973 or christopher.l.Eubank.mil@mail.mil
- Regimental Command Sergeant Major – CSM Richard D. Knott: 706-791-6128 or richard.d.knott.mil@mail.mil
- Regimental Chief Warrant Officer – CW5 Garth R. Hahn: 706-791-5771 or garth.r.hahn.mil@mail.mil
- Director, Office of the Chief of Signal – LTC Edward Kendall: 706-791-5463 or edward.w.kendall4.mil@mail.mil
 - Deputy Director – Will Norat: 706-791-4637 or wilfredo.norat.civ@mail.mil
 - Officer Division – Mr. Ron Frame: 706-791-6652 or ronald.e.frame.civ@mail.mil
 - Enlisted Division – Mr. Lamar Lauderdale: 706-791-8194 or lamar.d.lauderdale.civ@mail.mil
- Signal School Academics –
 - Signal Leader Development College – LTC Frank Sperl: 706-791-3359 or francis.x.sperl.mil@mail.mil
 - Signal Enlisted Development College – LTC Jason Allen: 706-791-2871 or jason.e.allen42.mil@mail.mil
- Regional Signal Training Sites – Director: LTC Dominick Wilkinson: 706-791-7325; dominick.j.wilkinson.mil@mail.mil
Deputy Director: Mr. Dave Verret: 706-791-7715; david.l.verret.civ@mail.mil

Signal Regimental Update



Signal Strong!

**AFCEA TECHNET 2019
Chief of Signal/Regimental CSM
BG Eubank/CSM Knott**